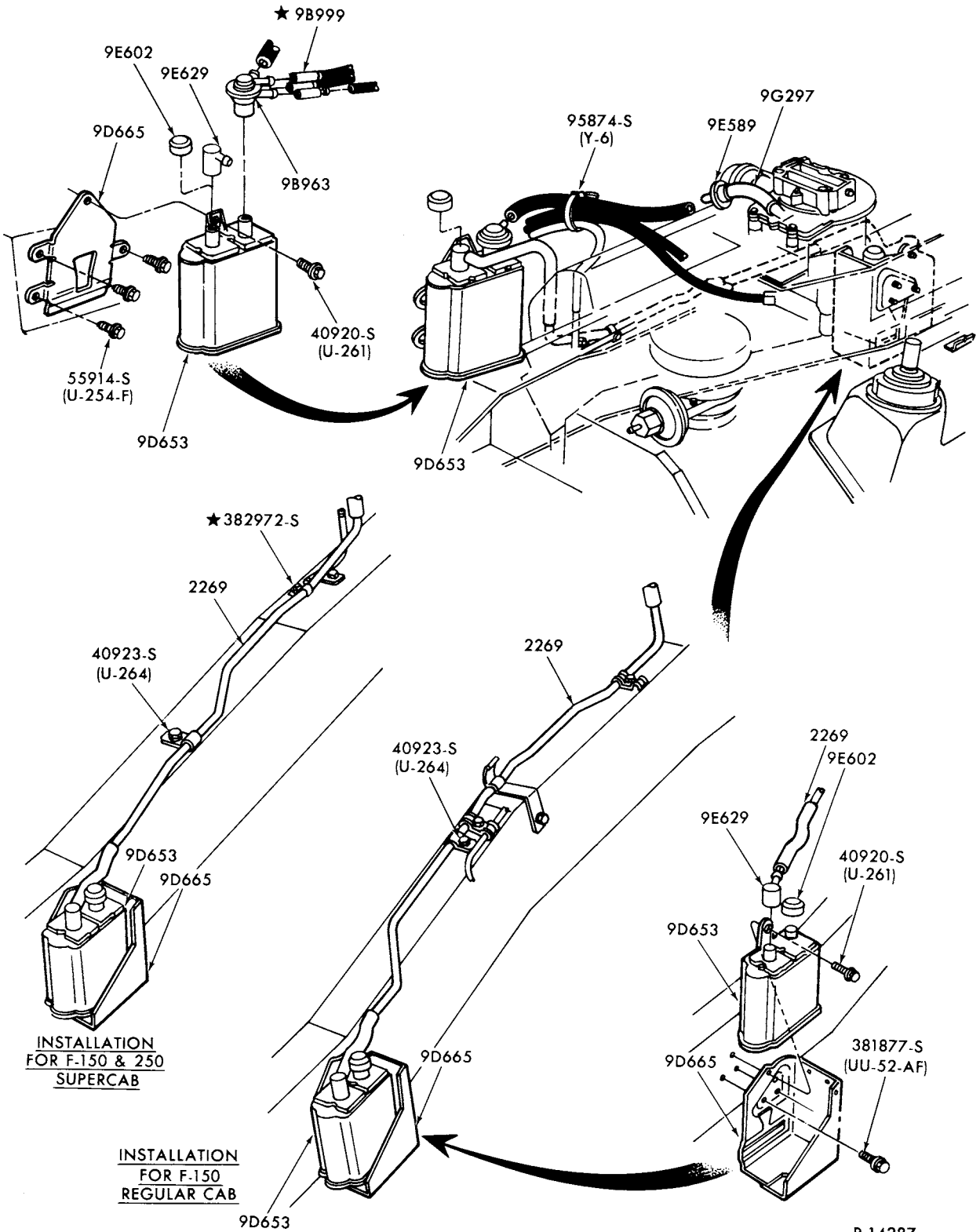


**1973/79  
TRUCK SERIES 100/500**

**ILLUSTRATION  
SECTION 96.1**



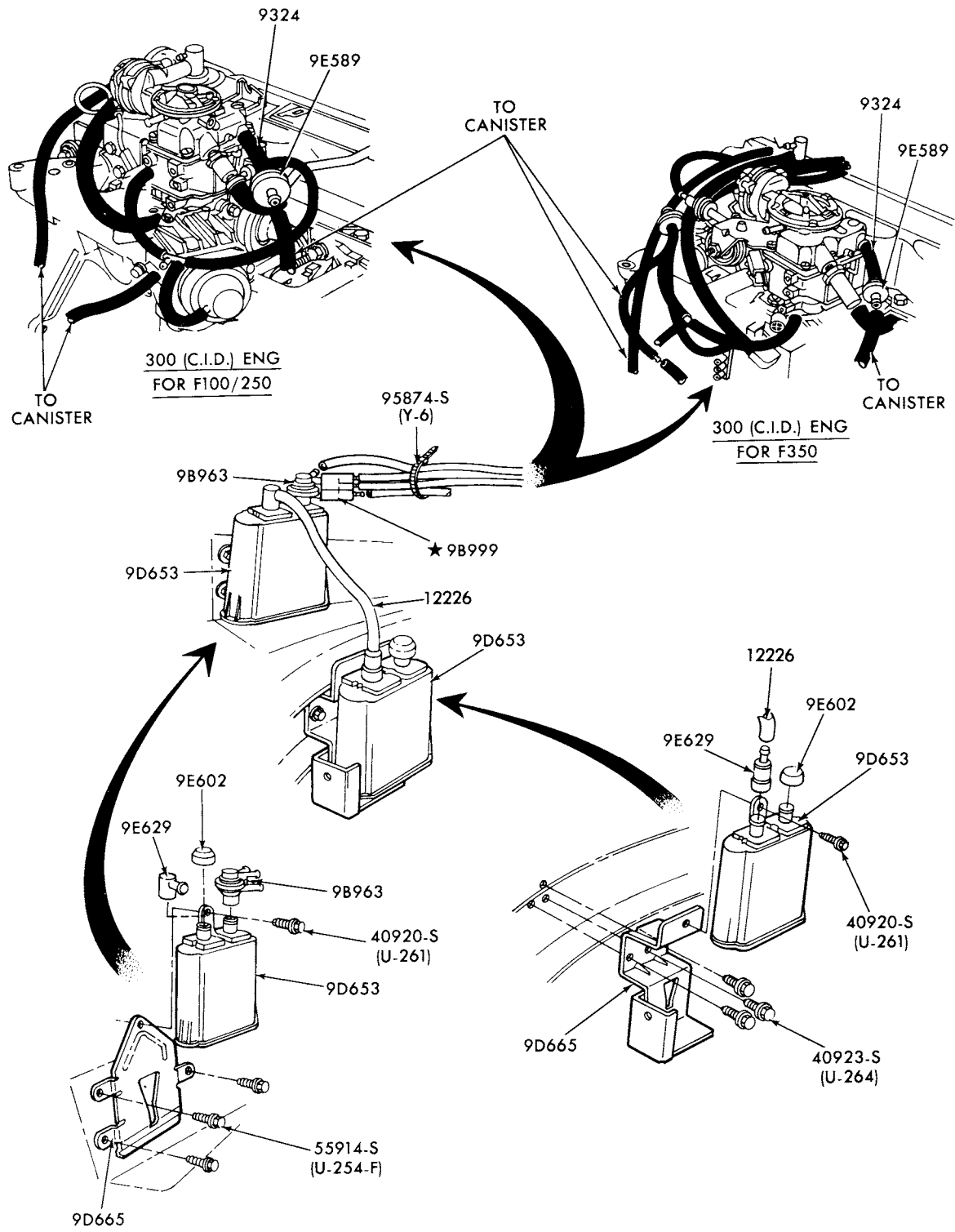
**INSTALLATION  
FOR F-150 & 250  
SUPERCAB**

**INSTALLATION  
FOR F-150  
REGULAR CAB**

P-14287

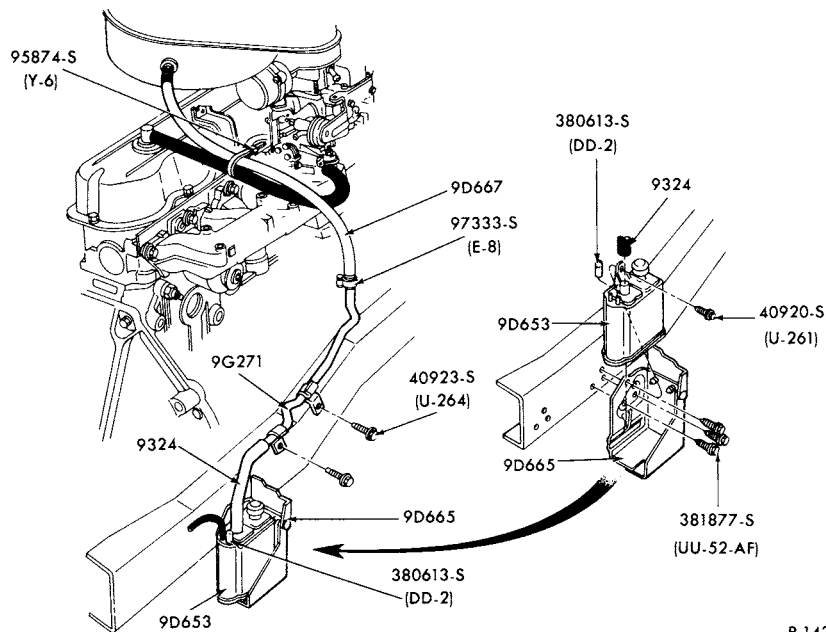
**FUEL SYSTEM - VAPOR CANISTER  
1978/  
F150--8 CYL. 351M-CALIF. and F250--8 CYL. 400-CALIF.**

**1973/79  
TRUCK SERIES 100/500**



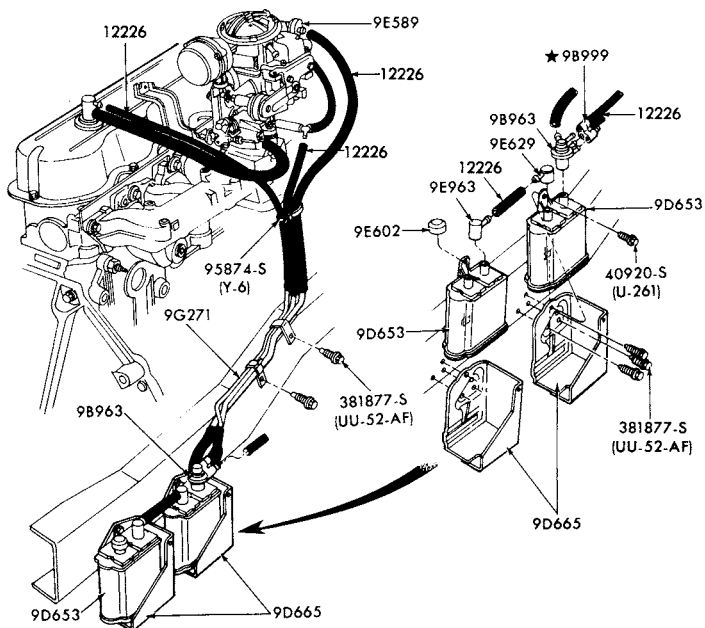
P-14285

FUEL SYSTEM - VAPOR CANISTER  
1978/ F100--6 CYL. 300-EXC. CANADA and F150/350--6 CYL. 300-CALIF.



P.14290

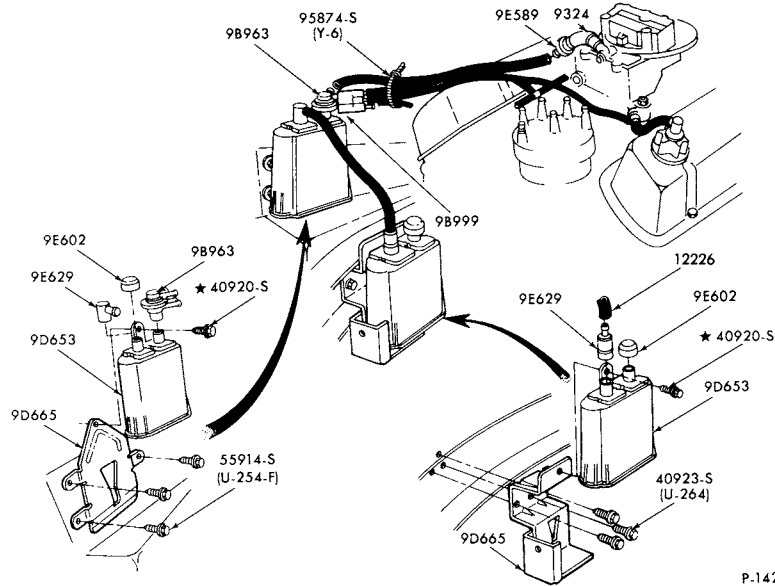
**FUEL SYSTEM - VAPOR CANISTER  
1978/ E100--6 CYL. 300-CANADA**



P.14289

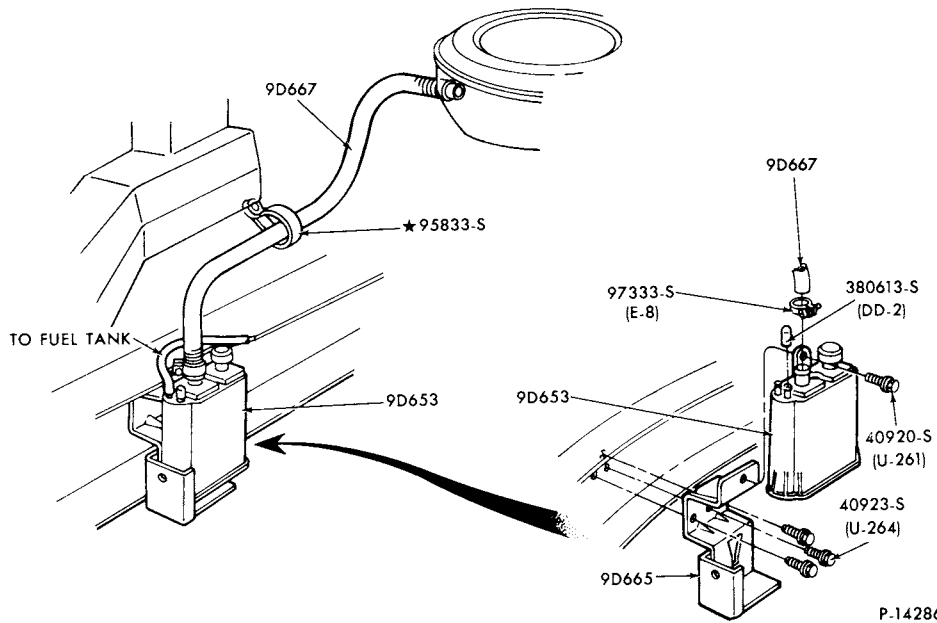
**FUEL SYSTEM - VAPOR CANISTER  
1978/ E100--6 CYL. 300-EXC. CANADA, E150/350--6 CYL. 300-CALIF., E100--8 CYL. 351W,  
E150/350--8 CYL. 351W-CALIF. and E250/350--8 CYL. 460-CALIF.**

# 1973/79 TRUCK SERIES 100/500



P.14288

FUEL SYSTEM - VAPOR CANISTER  
 1978/ F100--8 CYL. 302, F150--8 CYL. 302-CALIF., F100--8 CYL. 351M,  
 F150 and 350--8 CYL. 400-CALIF. and F150/350--8 CYL. 460-CALIF.



P.14286

FUEL SYSTEM - VAPOR CANISTER  
 1978/ F100--6 CYL. 300-CANADA